

## PMST MAX

PMST, known as Physio Magneto Super Transduction, is a high intensity magnetic field therapy machine to treat painful neuromuscular and joint-skeletal conditions without operator assistance.

Featured by its water cooling system, flexible holding arm, multi coils, working modes as well as the operation programming with self set protocols.



The human body is a good conducting medium and also conductive to magnetic fields. Since ions in a cell have a charge, the cell membrane also needs a certain charge.

The membrane charge of normal, healthy cells is higher than that of diseased or aged cells, including bacteria and viruses.

When the cell membrane charge is low, the cell has too little energy to perform its normal function. Hence, cells need energy, and electromagnetic field stimulation is known to increase this energy and optimize the function of the cell. Electromagnetic fields can pass through cells, tissues, organs and bones without any deformation or loss, activate the electrical chemistry of tissues, and improve cell and cell membrane function. The PMST MAX generates a magnetic field of 4-7 Tesla. This strong magnetic field stimulates nerve cells, muscles, and blood vessels consequently.

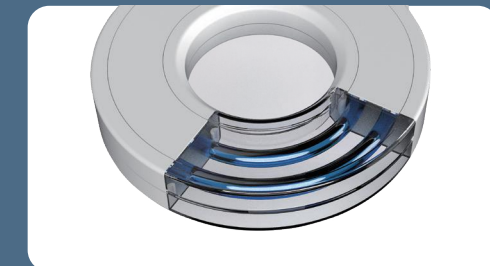
PMST MAX

## WATER COOLING SYSTEM

### PMST MAX

Water cooling system is adopted, which are unmatched for reliable and high performance. The magnetic pulse generated by PMST MAX is very superior in treatment result as impacting nerve and muscular tissue by deeply transmitted into human body and activating cells. It has the characteristics of low stimulation noise, compact appearance, and meeting the requirements of long-lasting high-intensity output.

High intensity magnetic pulse  
4-7 Tesla  
Long-lasting continuous work  
8 hours  
Multi magnetic frequencies  
1-3000Hz



## INNOVATIVE COMBINATION MAGNETO WITH LLLT

The low level laser applicator can be inserted into the magnetic ring coil innovatively, making combination therapy possible--magnetic combined with cold laser. In reported cases, such combination can speed up tissue recovery.



### PMST MAX MECHANISM

consists of a high-current pulse generator able to produce a large electric discharge current. The current flows through a stimulating coil, generating magnetic pulses with field strength up to 7 Tesla. The current flow passing to the coil creates the magnetic field around the coil. When the pulse of the magnetic field passes into the body, it will induce a voltage difference between any 2 points. This creates an electric field and induce into body. It is a non-invasive, novel, painless, and easy therapy for many neurological and musculoskeletal conditions.

### PMST MAX FREQUENCY

Low-frequency stimulation (1-5 Hz) has inhibitory effects, especially for Transcranial magnetic stimulation.  
Medium frequency (7-30 Hz) improve function, pain, and fatigue.  
High frequency (100-3000Hz) for all soft tissue conditions.

Multiple frequencies, prevent muscles from adapting to a single frequency. Variable frequency stimulation allows muscles to always adapt to new frequency, more effectively stimulating muscle response and improving muscle coordination.



PMST MAX

## PMST MAX COILS



### PM260 magnetic coil

Positioned on the muscle parts. This super large coil can treat large muscle groups, make muscle contraction more effective and achieve better therapeutic effects.

### PM200 magnetic coil

Positioned on the joint location. Thanks to the ring type design, PM200 coil can be perfectly fit into the joints.

### PM135 magnetic coil

Positioned on the point locations. Area where bigger coils can not target precisely, like wrist, elbow, shoulder etc.

### Easy coil replacement

Pluggable coils and the easy replacement of different types of stimulation coils on your own making it versatile and suitable for more applications.

## HANDS-FREE TREATMENT WITH THE HELP OF HOLDING ARM

Center lock control  
Multi direction  
Multi height positioning  
Easy operation



## PMST MAX SOFTWARE



Customized parameter settings--the setting can be saved for quick use in the next treatment  
12 different pulse rates can be set  
49 different defaulted protocols for various conditions  
5 expert modes available

## PMST MAX OPERATION



· PMST MAX



· PMST MAX DUO



· PMST WAVE LASER



www.kaphaphysio.com

KAPHAPHYSIO®



No. 19, Hejing Road  
Donglang, Liwan District  
Guangzhou, China

Amber Han  
General Manager

WhatsApp  
+86 130 6090 1678

Email  
kaphaphysio@outlook.com

Facebook  
Kaphaphysio



# PMST MAX

Portable High Intensity Magneto Therapy

## Inflammation

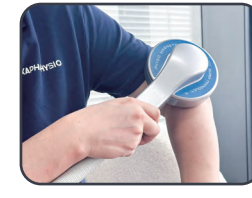
PMST MAX reduces inflammation by recharging the cell surface. This recharge prevents the chain of inflammation inside the cell, reducing pain and swelling associated with inflammation. And it supplies blood and oxygen to the wound area, helping quick recovery.

## Bone and Cartilage

The magneto therapy applied to fractured area maximizes the electric polarity. This naturally promotes fracture healing and recovery. Healthy bones maintain a dynamic balance of positive and negative charges. The body's natural healing begins at the fracture site.



PM135 Dynamic Coil



PM135 Arm Treatment



PM135 Ankle Treatment



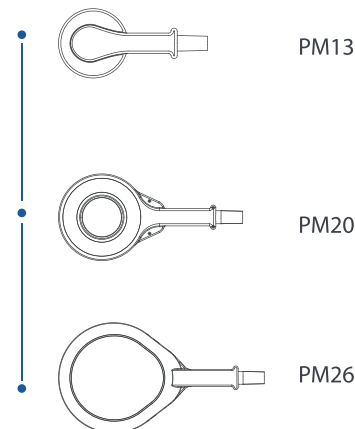
PM135 Knee Treatment



· PMST MAX PULS



· PMST MAX



Plug-in applicator, three applicators to switch

PMST MAX

# PMST MAX DUO

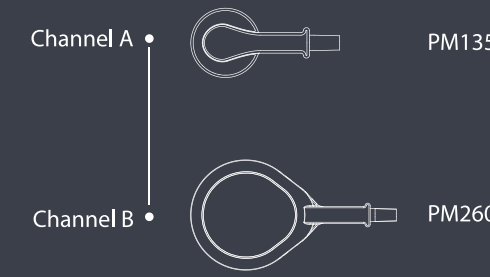
Standing Two Channels High Intensity Magneto Therapy

## Pain

Magneto therapy has been used to treat pain since the late 20th century. It is known to enhance the metabolism of fibroblasts, osteoblasts, and the effects of hormones and neurotransmitters on the receptors of various cells. PMST MAX DUO is used for the treatment of various pain such as back pain, neck pain, shoulder disease, knee osteoarthritis, posttherpetic neuralgia, pelvic pain, multiple sclerosis, and neuropathic pain.

## Fibromyalgia, Arthritis, Chronic Fatigue

PMST MAX DUO supports immediate pain relief in treating pain in patients with fibromyalgia, arthritis, and chronic fatigue. PMST MAX DUO also affects the delivery of calcium ions, promotes the uptake of calcium in the bone, and helps in the synthesis of cartilage cells.



Two Channels working simultaneously



PM200 Ring Coil



PM200 Ring for Shoulder



PM200 Ring for wrist



PM200 Ring for knee



· PMST MAX DUO

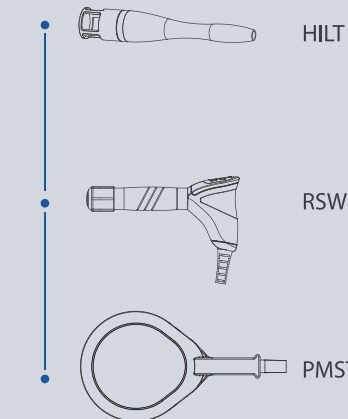
# PMST WAVE LASER

High Intensity Magneto combined with Radial shockwave and High Power Laser

**Magneto therapy** is used for the treatment of musculoskeletal diseases of the muscle, bone, joints, nerves, tendons and tissues, particularly effective in reducing pain in degenerative joint diseases, e.g. knee and hip arthritis, degenerative spinal pain.

**High intensity laser therapy** is a type of treatment that employs light energy to promote pain relief, tissue healing, and reduce inflammation. Wavelength 1064nm of 20W.

**Radial shockwave therapy** is a method for the treatment of superficial orthopedic disorders. A projectile accelerated in the handpiece generates a mechanical pressure wave, which is transferred to the human body by an applicator head and which radiates out in the tissue.



PMST + RSWT + HILT, 3 IN 1 combination therapy



PM260 Muscle Coil



PM260 for Thigh



PM260 for Hip



PM260 for Back



· PMST WAVE LASER

# PMST MAX

Technical information

	PMST MAX	PMST MAX DUO	PMST WAVE LASER
CHANNEL	1	2	3
INTENSITY	4-7 TESLA	4-7 TESLA	4-7 TESLA / 10 BAR / 20W
FREQUENCY	1-3000Hz	1-3000Hz	1-3000Hz / 21Hz / 20000Hz
WORKING MODE	4	4	4
SCREEN SIZE	12.1 inches	12.1 inches	12.1 inches
PROTOCOL	49	49	111
PARAMETER SAVE	15	15	107

PMST MAX



# KAPHAPHYSIO<sup>®</sup> Premium

INNOVATIVE PHYSIOTHERAPY EQUIPMENT MANUFACTURER



KAPHAPHYSIO is a leading manufacturer of physiotherapy devices in China, with an experienced team that integrates production, R&D, sales, and distribution.

We provide innovative physiotherapy technologies, including focus and radial shockwave therapy, PEMF therapy, magnetic therapy, tecar therapy, high-power laser therapy, low-level laser therapy, electrotherapy and ultrasound therapy.

## Global Medical Events



Malaysia

Vietnam

Dubai

Germany



Turkey

Russia

Kazakhstan

Thailand